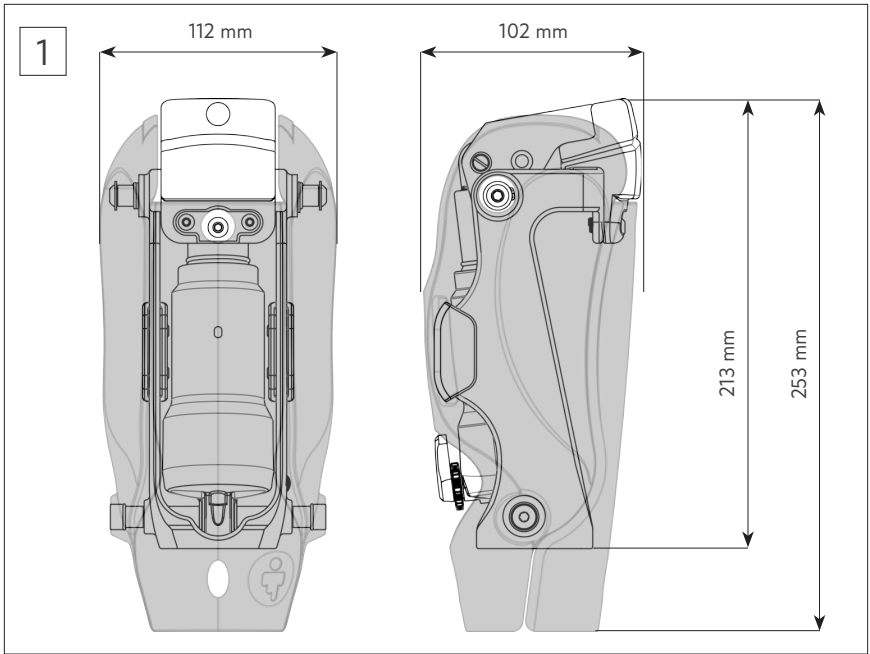


# GEN3 INFINITY KNEE



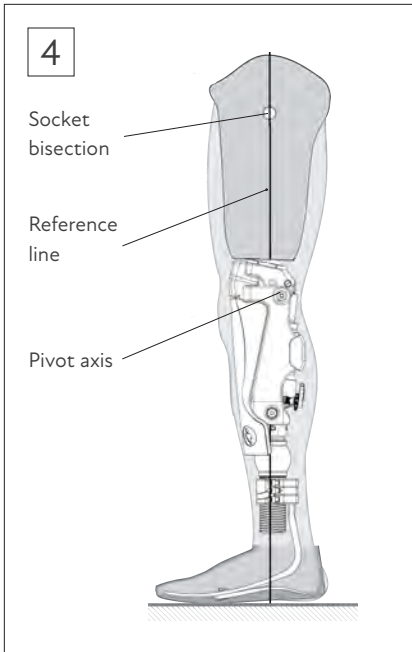
**M A N U A L**





- Maximum weight 125kg (275lbs)
- Net weight 908g (2lbs)
- Build height 213 mm
- 8° to 150° Knee flexion available





## Alignment | Initial Ambulation

- Establish knee center height
- Recommend 5° of socket flexion
- Position socket where alignment reference line bisects lateral wall at the ischial level of the socket passing through or slightly posterior to the knee axis
- Remove any residual air pressure
- Set shock settings to zero position



*Warning! If patient is not stable they can fall during this stage of fitting.*



*Premature knee flexion may result from weight line position too posterior to the knee axis.*



*If weight line is too far anterior to knee axis, more effort will be required to create a hyperextension moment engaging knee axis*

## G3 Infinity Knee - Kit Contents

- Crossover™ ultra lightweight 6061-T aluminum frame with stainless steel inserts
- 75 durometer-rated Variable Extension Dampening “VED” bumpers (installed)
- Removeable protective rubber impact covers
- A pair of urethane tendons, XX mm long
- Removeable X/CAM™ system
- Crossflex™ preflexion foam wedges: 20°/ 30°/ 40°
- Shock Pump
- User Manual
- Quick Reference Card
- Warranty Card



*The following items are classified as “Consumable Products” requiring replacement when visual wear, cracks, or tears are present:*

- Urethane Tendons
- VED Dampening Bumpers
- Crossflex™ preflexion foam wedges



## Integrated Quick-Release X/CAM™ System

The proprietary X/CAM™ system transforms the the GEN3 Infinity Knee into a dynamic athletic prosthesis with increased fluidity and isotonic stability delivering smooth energy absorption and return.



One or both tendons may be used to deliver optimal flexion and extension resistance.

Crossflex™ wedges are designed to act like knee cartilage by providing a small amount of compression absorption reducing stress on an amputee's limb. User-installed to achieve the ideal preflexion angle/position for high intensity athletic activities.

- Crossflex™ wedges require no tools
- Inserted within the knee axis
- Preflexion set at 20° / 30° / 40°



When installing preflexion wedges, take care as to not tear the foam section that locks into the knee unit.



Note:

Polyurethane Wedges and 85 durometer-rated VED Bumpers available for separate purchase. Some user's require increased support at knee axis.

